



Bunting-Newton
500 S. Spencer Rd.
P.O. Box 468
Newton, KS 67114
800.835.2526 or 316.284.2020
Fax: 316.283.4975
sales.newton@buntingmagnetics.com
www.buntingmagnetics.com

TURB GRATE

Our newly redesigned Turbograte Magnetic Separator removes ferrous metals from powder and granular materials with even the most difficult flow characteristics. The Turbograte features a powerful motorized rotating grate magnet which processes material, such as cocoa, flour or starch, that would bridge traditional grate assemblies.

This next generation of the magnetic separators features streamlined design elements while still adhering to the top quality construction standards that our customers expect from Bunting.

- Food grade finish standard. Self-Cleaning option available
- Neodymium High-Intensity Rare Earth magnets are standard
- Two standard sizes are available for up to 12" spouting. Can be custom designed to fit your installation requirements.





TURB GRATE

Applications:

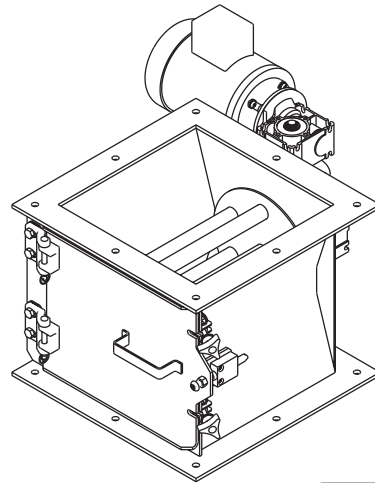
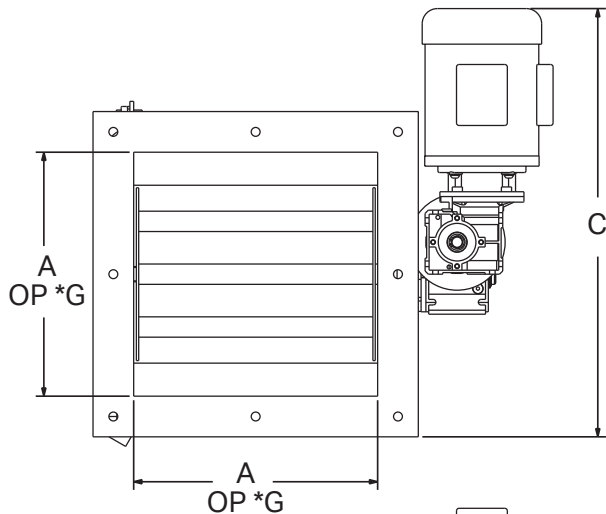
- Products that bridge easily
- Cake and Baking Mixes
- Spices
- Cocoa Powder
- Products with high moisture, oil, fat, or starch content
- Not recommended for abrasive products

Standards:

- Neodymium-High-Intensity Rare Earth Magnets
- Food Grade Finish
- Door Safety Switch
- 1/6 HP 115v/1PH/60Hz motor for grate speeds at 8-10 rpm

Options:

- Variable Speed Drive
- Manual Self-Cleaning
- Transitions for Round or Square Piping



	12"	18"
A	12"	18"
B	12-7/8"	18-7/8"
C	21-1/16"	24-1/4"
D	22-5/8"	28-7/8"
E	16-11/16"	20"

